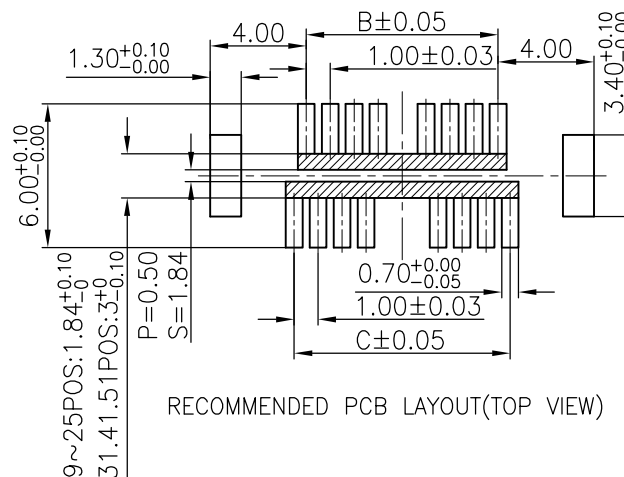
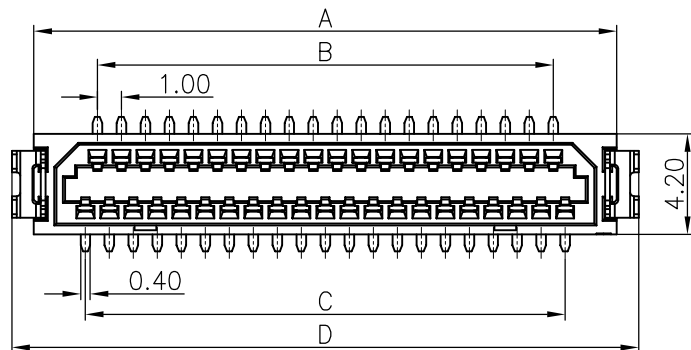
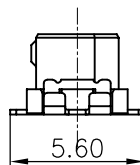
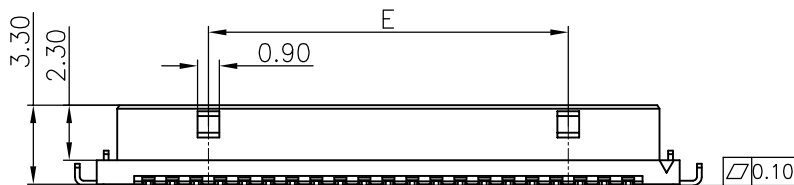


The product using material and processing must conform to the "WI-PZ-001"HSF technical standard control requirements

RoHS+HF



RECOMMENDED PCB LAYOUT(TOP VIEW)



NOTE:

- 1.MATERIAL SPECIFICATION:
  - 1-1.HOUSING:LCP, UL94V-0 COLOUR: WHITE
  - 1-2.CONTACTS:PHOSPHOR BRONZE
  - 1-3.SHELL:BRASS
- 2.PLATING SPECIFICATION:
  - 2-1.CONTACTS:
    - SN PLATED OR AU PLATED ON CONTACT AREA.
  - 2-2.SHELL:SN PLATED.
- 3.MECHANICAL PERFORMANCE:
  - 3-1.INSERTION FORCE: 0.12kgf MAX
  - 3-2.REMOVAL FORCE: 0.08kgf MIN
  - 3-3.DURABILITY: 30 CYCLES.
- 4.ELECTRICAL PERFORMANCE:
  - 4-1. RATED CURRENT : 0.5A
  - RATED VOLTAGE : 150V AC
  - 4-2.INSULATION RESISTANCE: 500MΩ MIN
  - CONTACT RESISTANCE : 50mΩ MAX.
  - 4-3.WITHSTANDING VOLTAGE: 250V AC
- 5.ENVIRONMENTAL PERFORMANCE:
  - OPERATING TEMPERATURE: -45°C~+125°C.
- 6.PACKAGE SPEC: REEL
- 7.P/N:

B1001 33 F 0- 2 XX 2 X X 401

SERIES NO: \_\_\_\_\_

HEIGHT: \_\_\_\_\_  
33: 3.3mm

MALE FEMALE: \_\_\_\_\_  
F-FEMALE

ANGLE: \_\_\_\_\_  
0-180°

ROW NO: \_\_\_\_\_  
2-DOUBLE ROW

COLOR:  
A-BLACK  
K-WHITE  
S-NATURE

PLATING:  
A-ALL AU G/F  
C-BRIGHE TIN  
1-G/F

TERMPOINT:  
2-SMT

PIN Q'PY:  
09~51

Ordering Information & Dimensions

Circuit	Dimensions(mm)					
	A	B	C	D	E	F
09	8.3	3	4	7.1	10.1	0
11	9.3	4	5	8.1	11.1	0
13	10.3	5	6	9.1	12.1	0
15	11.3	6	7	10.1	13.1	0
17	12.3	7	8	11.1	14.1	0
19	13.3	8	9	12.1	15.1	0
21	14.3	9	10	13.1	16.1	5
23	15.3	10	11	14.1	17.1	6
25	16.3	11	12	15.1	18.1	7
31	19.3	14	15	18.1	21.1	10
41	24.3	19	20	23.1	26.1	15
51	29.3	24	25	28.1	31.1	20

REV.	REVISION RECORD	DATE	GENERAL TOLERANCES		SCALE:	NAME	DATE	PART.NO:	DWG.NO:
A0	NEW RELEASE	21.01.13	LINEAR	ANGLES	1:1	Wang_jr	21.01.13	B100133F0-2XX2XX401	ENDE05
			0.0±0.35	X'REF±6°	APPROVED	Han_Gao	21.01.13		
			0.00±0.25	X'±3°	DESIGNER	Zijun_Huang	21.01.13		
			0.000±0.10	X'X' ±2°	DRAWN				
TITLE: Board to Board Pitch1.0 H3.3mm单槽双排 无定位柱带焊片 SMT型母座									REV: A0 SHEET: 1/2

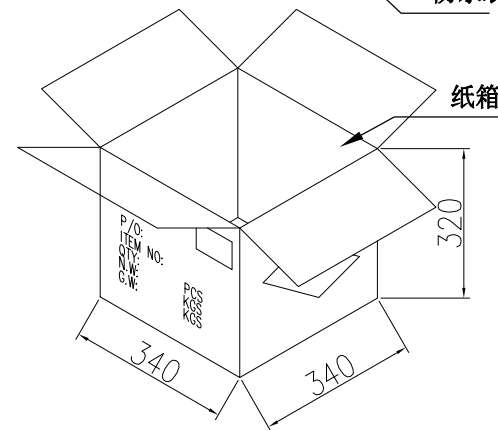
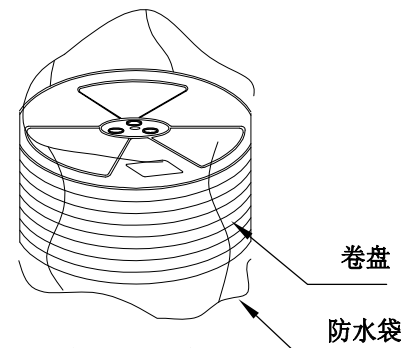
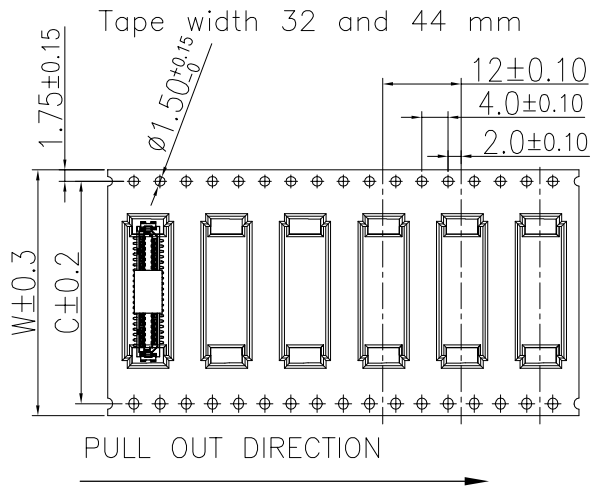
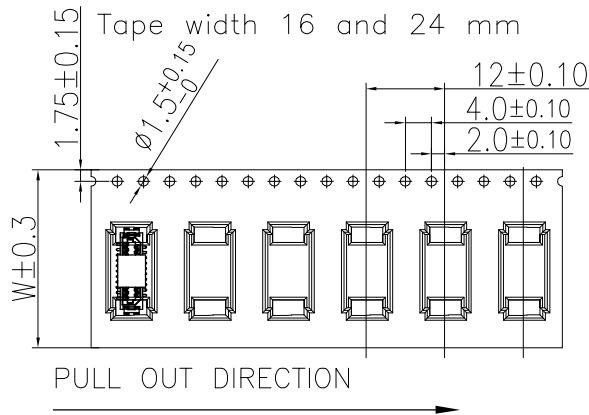


REV: A0 SHEET: 1/2

The product using material and processing must conform to the "WI-PZ-001" HSF technical standard control requirements

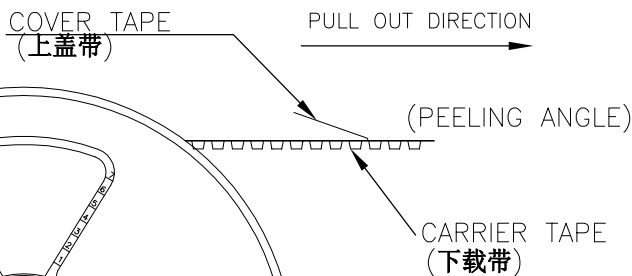
NOTE:

- 1.0 Sprocket hole pitch cumulative tolerance  $\pm 0.20$ .
2. Carrier camber is within 1mm in 100mm.
3. Material: black conductive polystyrene alloy.
4. Material Thickness:  $0.3 \pm 0.05$ mm.
5. For tape width (dim W) 16 and 24mm pilot holes are provided on one sides.  
For tape width (dim W) 32, 44 and 56mm pilot holes are provided on both sides.



Circuit	W	C	PCS /REEL	REEL/CARTON	SUM(PCS)
11~17PIN	24	-	1000	11	11000
19~31PIN	32	28.4	1000	8	8000
41PIN	44	40.4	1000	6	6000

RoHS+HF



W+4

REV.	REVISION RECORD	DATE	GENERAL TOLERANCES		SCALE:	NAME	DATE	PART.NO:	DWG.NO:
A0	NEW RELEASE	21.01.13	LINEAR	ANGLES	1:1	Wang_jr	21.01.13	PACKING DRAW	ENDE05
			0.0 ± 0.35	X° REF ± 6'		DESIGNER	Han_Gao	21.01.13	TITLE: BOARD TO BOARD PITCH1.0 H3.3MM SMT FEMALE REEL PACKING DRAW
			0.00 ± 0.25	X' ± 3'		DRAWN	Zijun_Huang	21.01.13	
			UNIT:mm						REV: A0
			SIZE: A4	0.000 ± 0.10	X'X' ± 2'				SHEET: 2/2



WanLian Teconology Co., Ltd